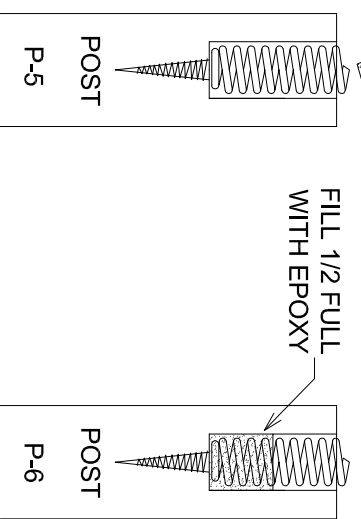
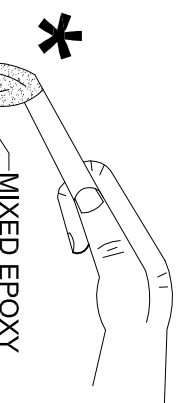
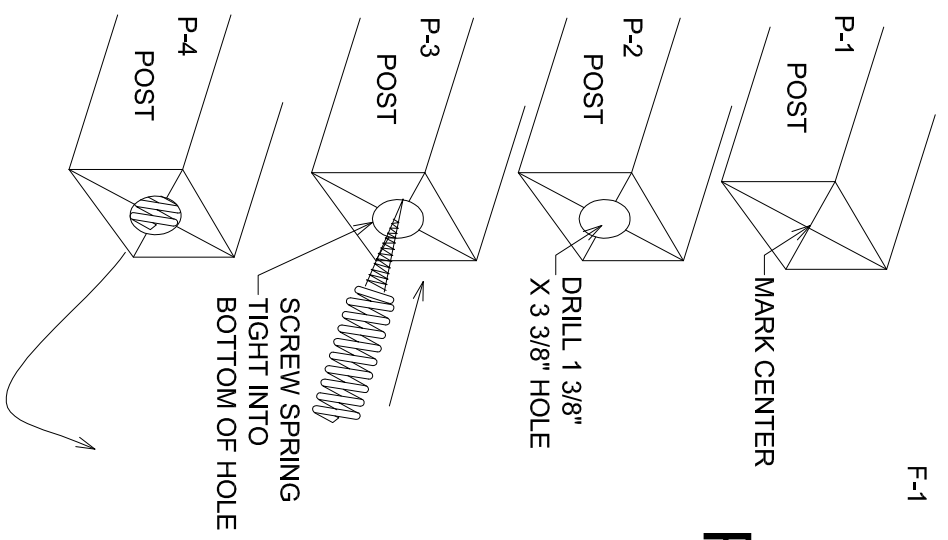


# THE TOTALLY CONCEALED POST/SPRING BOLT INSTRUCTIONS

Pat. Pend.



**\*** TWIST POST INTO FLOOR TO CHECK POST FOR PLUMB BEFORE YOU DROP EPOXY INTO THE POST HOLE OR THE HOLE IN THE FLOOR.

TWIST POST 4 TO 5 TURNS AFTER POST HAS MADE CONTACT WITH THE FLOOR. ALLOW EPOXY AN OVER NIGHT SET.

