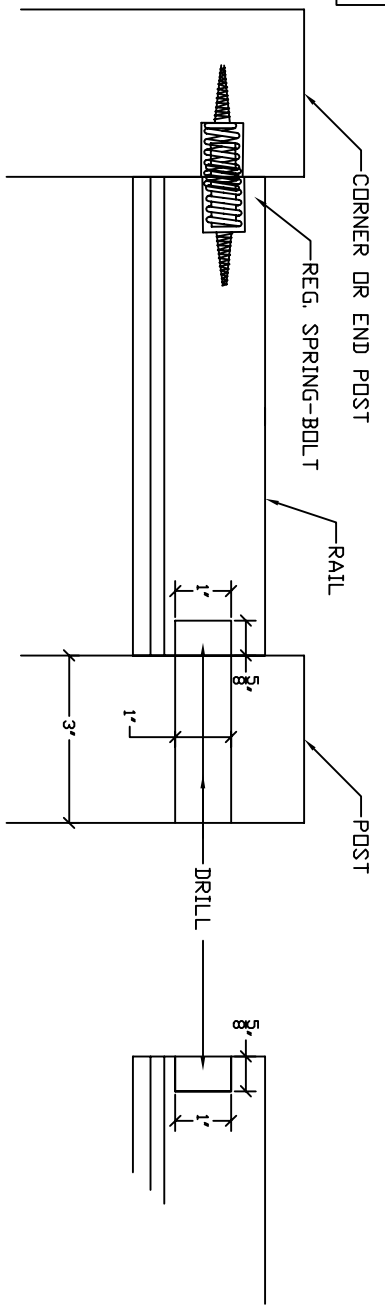
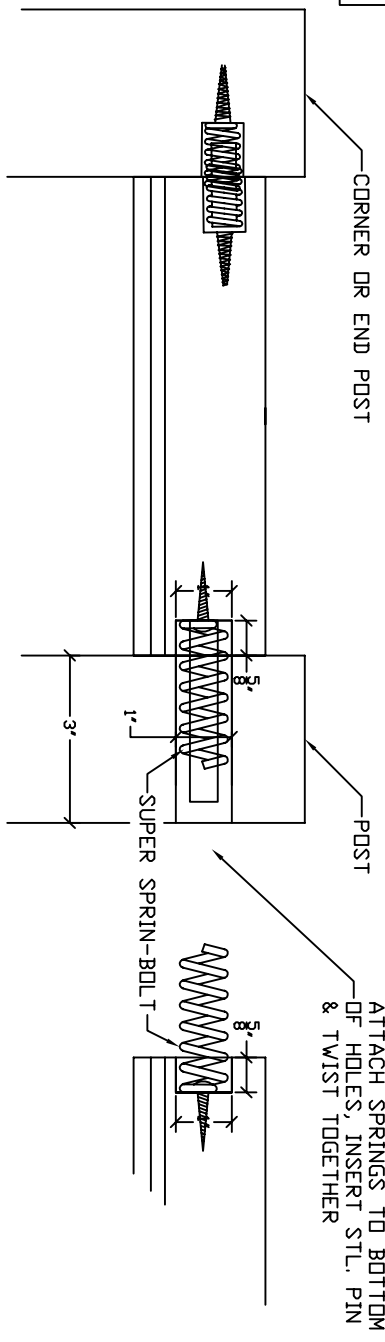


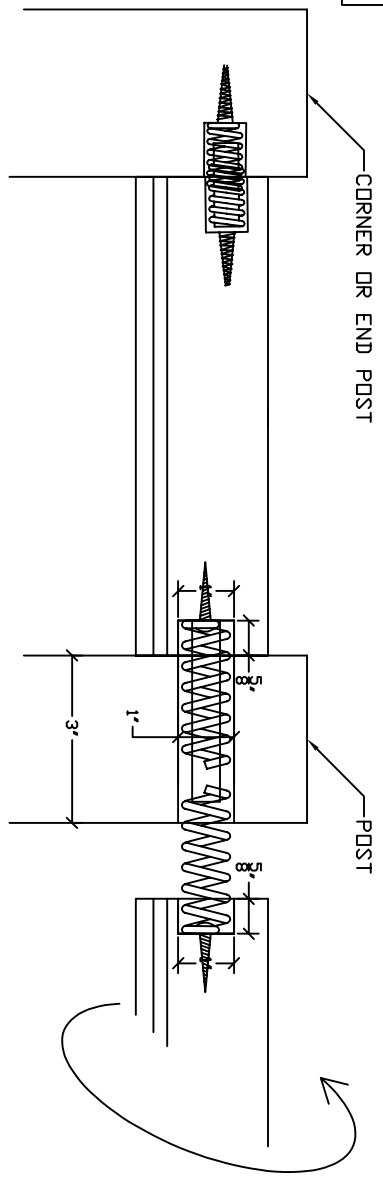
1



2



3



APPROVED BY:
DATE:

ROCK WOODWORKS, INC.
6614 LANTANA RD.
LAKE WORTH, FL 33467

DESCR.: POST TO POST
SCALE: NONE
JOB:

DATE: 12/07/09
02

CONTACT: ROGER 561-951-3334